

SPECIFICATION

A: MATERIAL:

- 1. BODY: PBT
- 2. TERMINAL: Cu PLATED Sn

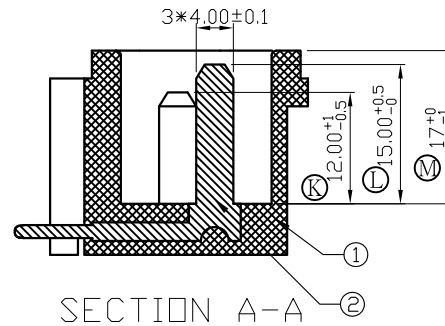
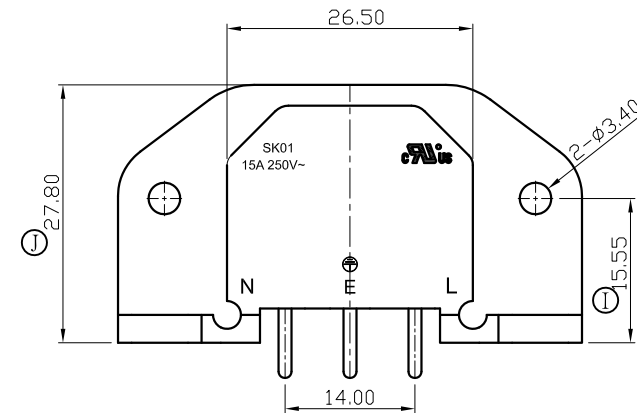
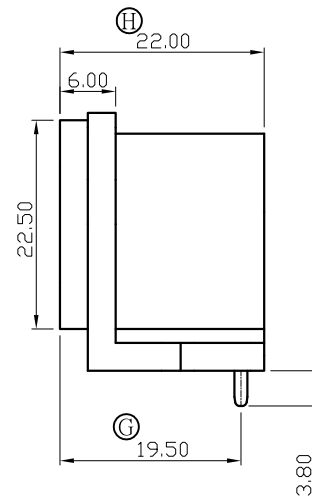
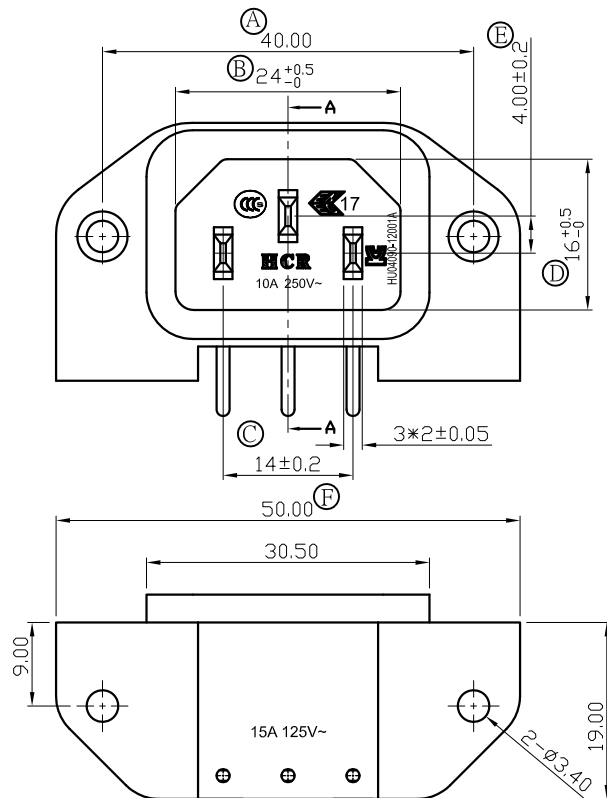
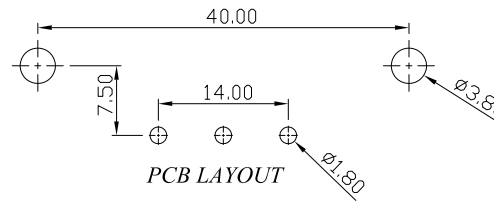
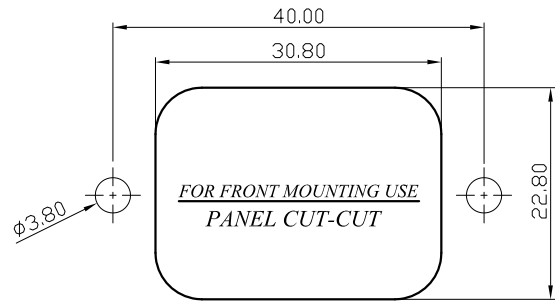
B: CHARACTERISTICS:

- 1. RATING: 15A 250V~(C-ULus)
10A 250V~(ENEC & CCC & KC)
- 2. INSULATION RESISTANCE: 100MΩ MIN, AT 500VDC
- 3. ELECTRIC STRENGTH : 3000 VAC/1MIN, LEAKAGE CURRENT UNDER 0.5mA

C: APPROVALS: C-ULus, ENEC & CCC & KC

D: MATERIAL USED MUST BE COMPLY WITH HQI-0010

E: CAN MEET RoHS, RoHS2.0



TOLERANCES UNLESS OTHERWISE 未指定容許差尺寸之公差	
BASIC DIMENSIONS TOLERANCES	
UP TO 10 (10以下)	±0.15
ABOVE 10 TO 30(10~30)	±0.3
ABOVE 30 TO 100(30~100)	±0.5
ANGULAR DIMENSIONS(角度)	±5°
DIMENSION UNIT	mm

東莞市華之力電子有限公司 DONGGUAN HCR ELECTRONICS CO., LTD.

NO	DATE	REVISION DESCRIPTION	REVISION	DRAWN	APPROVED	繪圖 DRAWN BY	日期 DATE	20121125	路徑 DWG NO	E:\成品圖 SK01\800084	料號 ITEM NO	SK01-3801030522
2	20121205	1.依客戶要求添加15A 125V~	A2			核准 APPROVED BY	日期 DATE	20121125	投影法 PROJECT		機型 PART NAME	INLET SOCKET
1	20121126	1.按客戶要求做設計變更	A1	WeiChen	AaronJin	校對 CHECKED BY	日期 DATE	20121125	比例 SCALE	1:1	型號 PART NO	SK01
0	20120915	1.新制訂	A0	WeiChen	AaronJin	繪圖 DRAWN BY	日期 DATE	20121125				